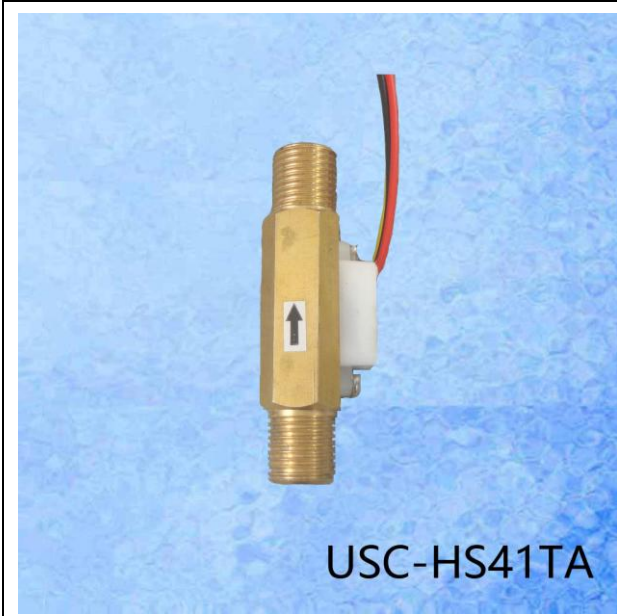
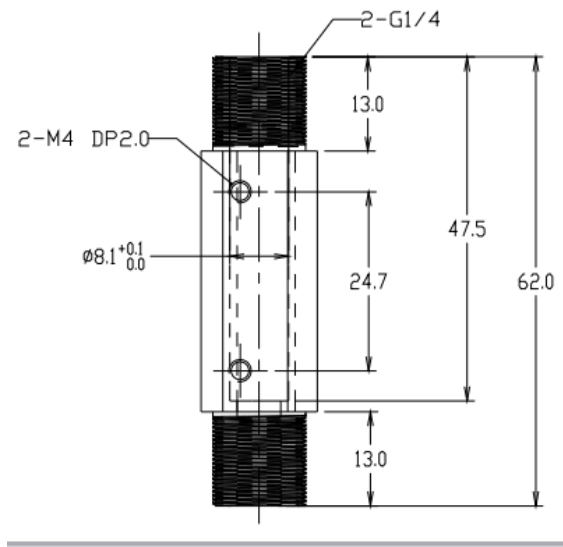


USC-HS41TA Technical Data



USC-HS41TA



外观 Appearance		图纸 Diagram	
进水口 Inlet	2 分外丝 BSP1/4" Male	出水口 Outlet	2 分外丝 BSP1/4" Male
测量范围 Measuring Range	0.3-3.0L/min	使用介质 Liquid	Water (Tap Water Standard)
工作电压范围 Working Voltage range	DC 4.5-18V	额定工作电压 Rated working voltage	DC 5V
输出电压 Output voltage	高电平 4.5V 以上，低电平 0.5V 以下。 High level 4.5V and above; low level 0.5V and below		
最大工作电流 Max. Working Current	15mA	脉冲输出占空比 Pulse output duty cycle	50+-10%
密封性 Tightness	封闭各孔，加 1.7MPa 水压试验 1 分钟无渗漏和变形 Seal up all the holes, and inflate with 1.7MPa water, after 1 minute, no leakage and deformation.		
绝缘电阻 insulation resistance	100M 以上 100M and above	累计流量特性 Accumulated flow	1L = 1780pulse±10%
流量 脉冲 特性 Flow Pulse Features	脉冲 (f) = 90 * 流量 (Q) (l/min) 误差 : ±10% Pulse(f)=90*flow rate(Q)(l/min) error: ±10%		
流量计接线图 Wire diagram			

- 1、当磁性材料或对传感器产生磁力的材料靠近传感器时，其特征可能有所变化。
 - 2、为了避免颗粒、杂物进入传感器，在进水口必须安装过滤网。
 - 3、水流传感器可任意方向安装，但要避开有较强震动和摇晃的环境，以免影响传感器的测量精度。
1. When magnetic material is close with the sensor, its characteristics may vary.
 2. In order to avoid particle debris, the sensor must be installed after a filter.
 3. The flow sensor can be installed in any direction. IT has to avoid strong vibrating and shaking environment, so as not to affect the accuracy.